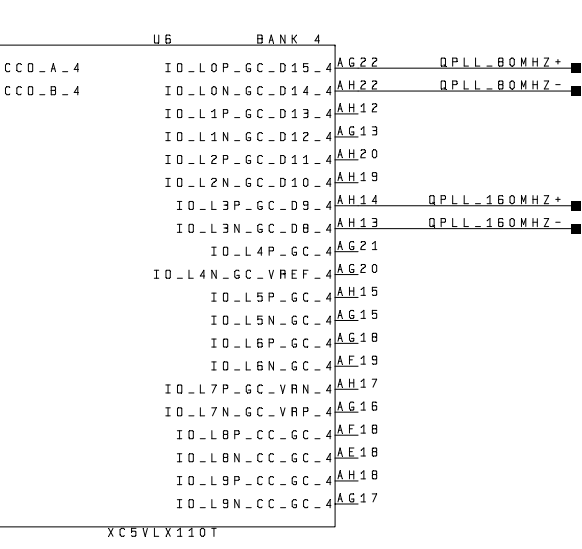
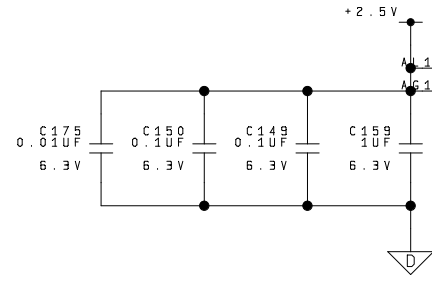
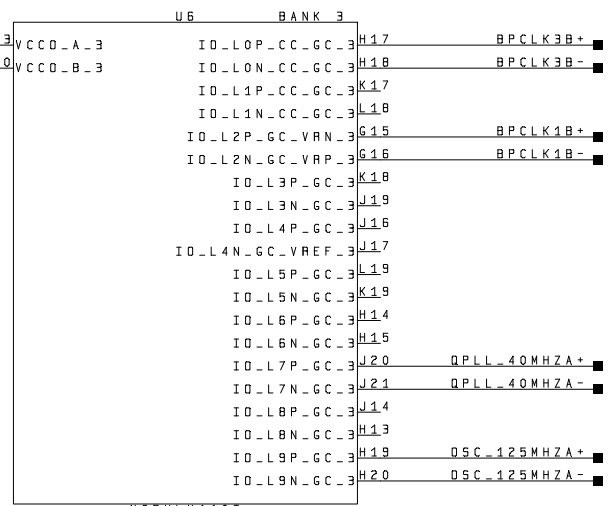
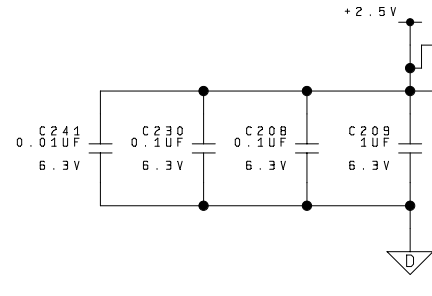
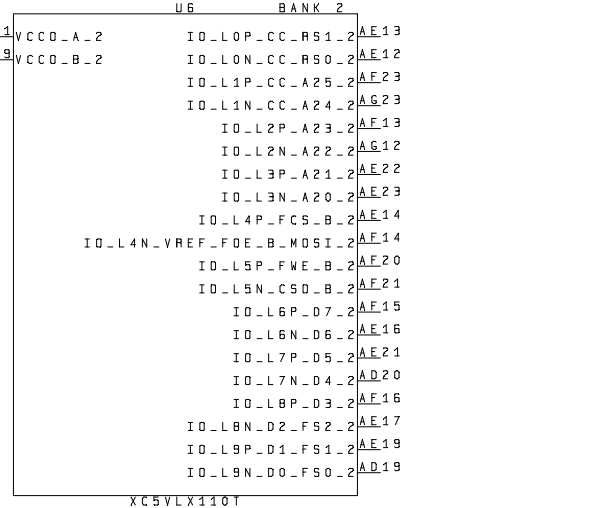
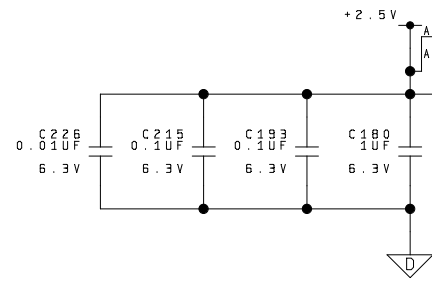
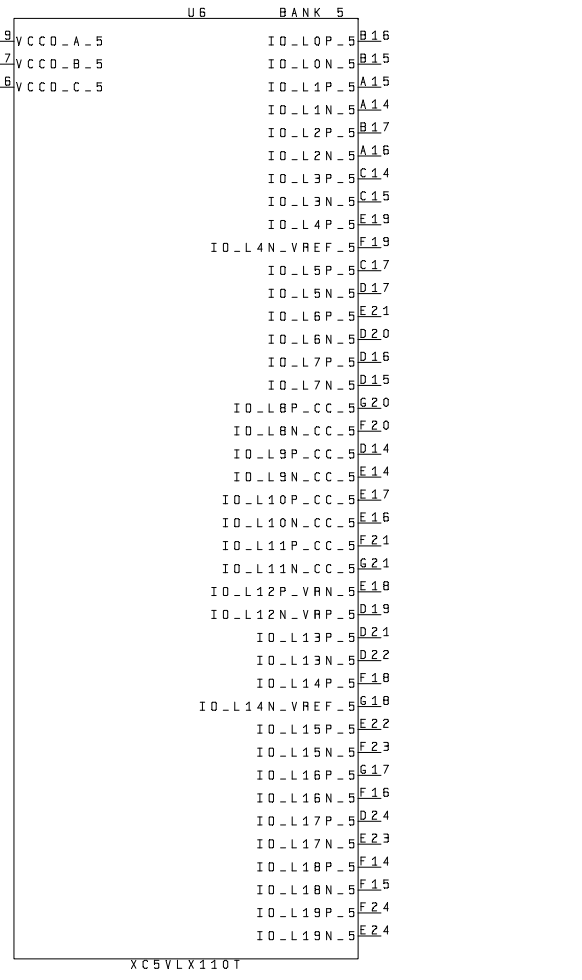
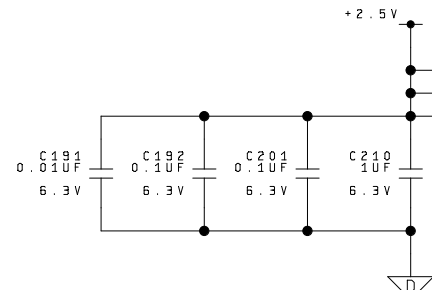
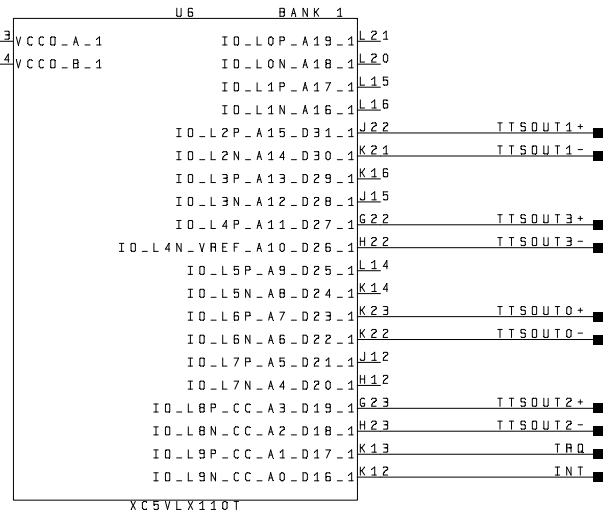
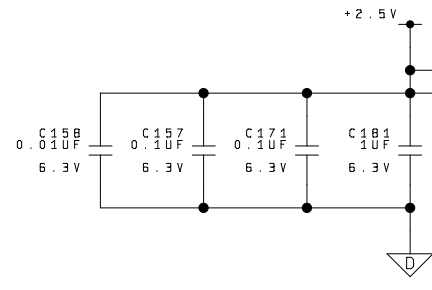


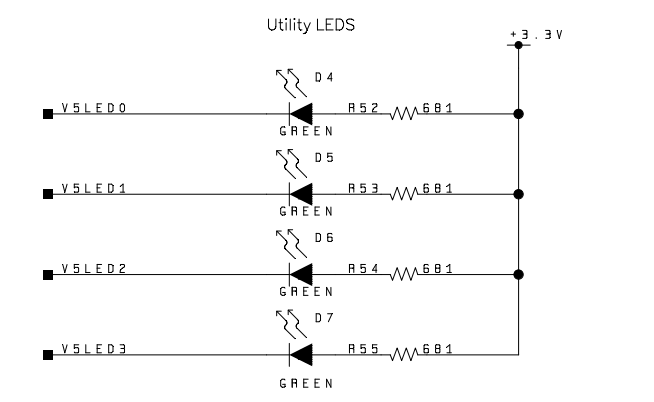
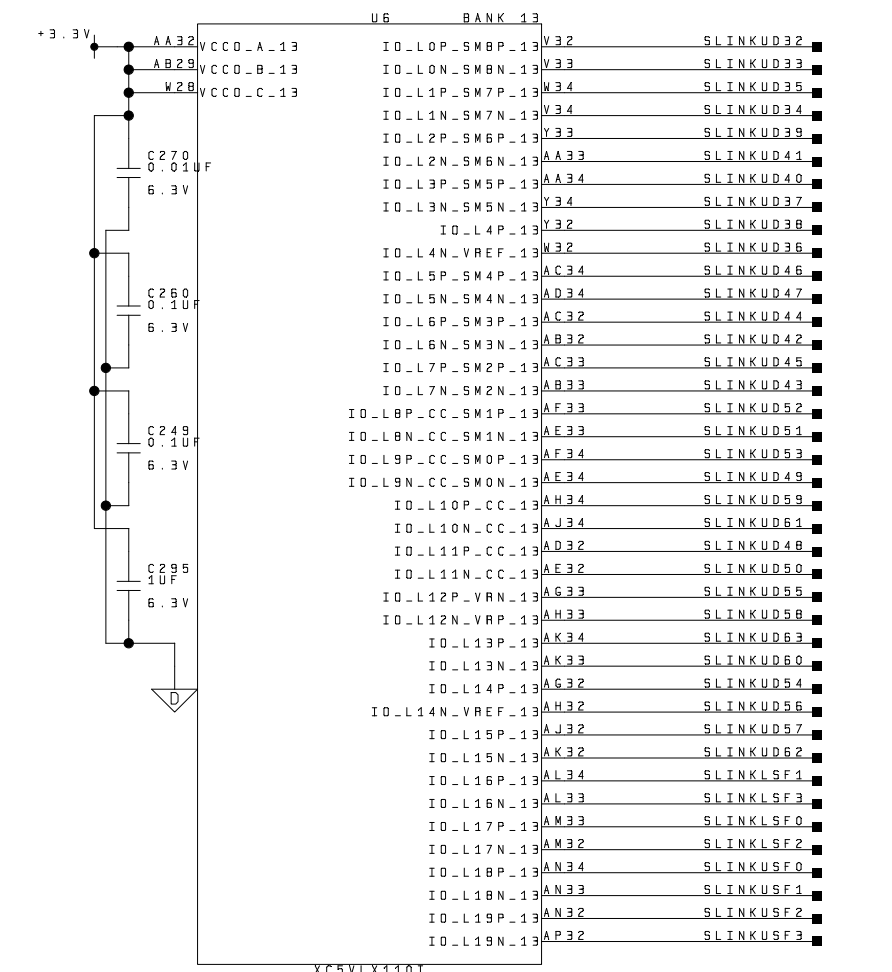
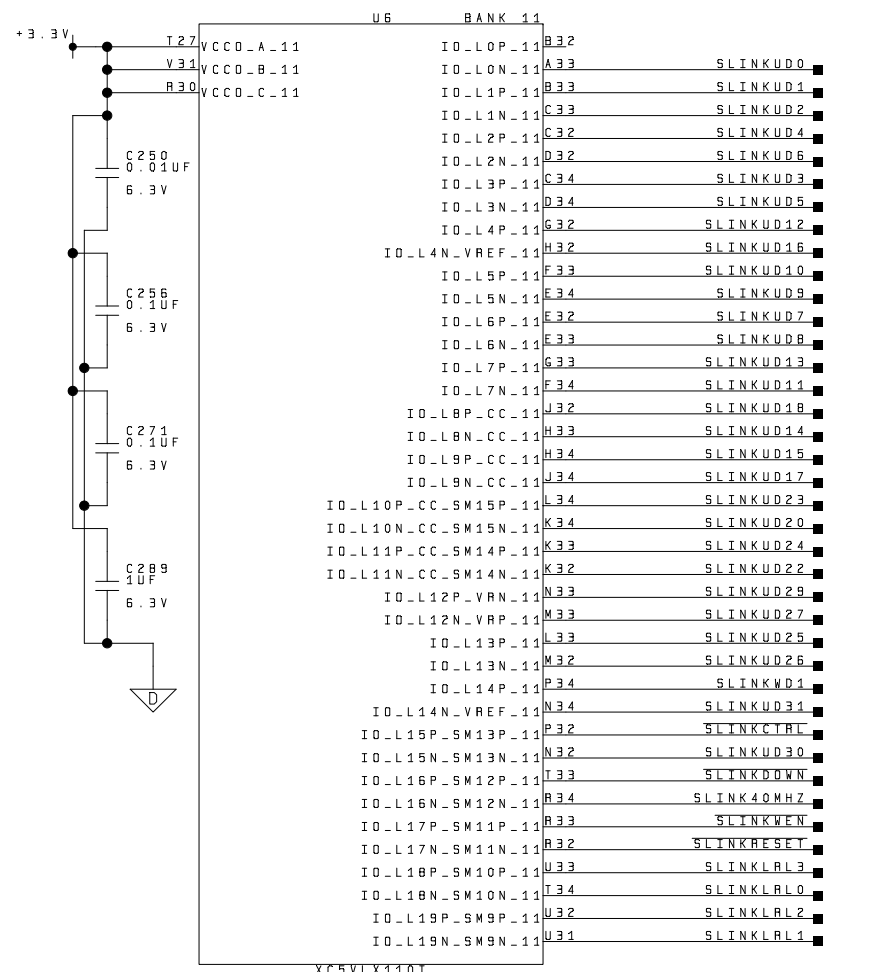
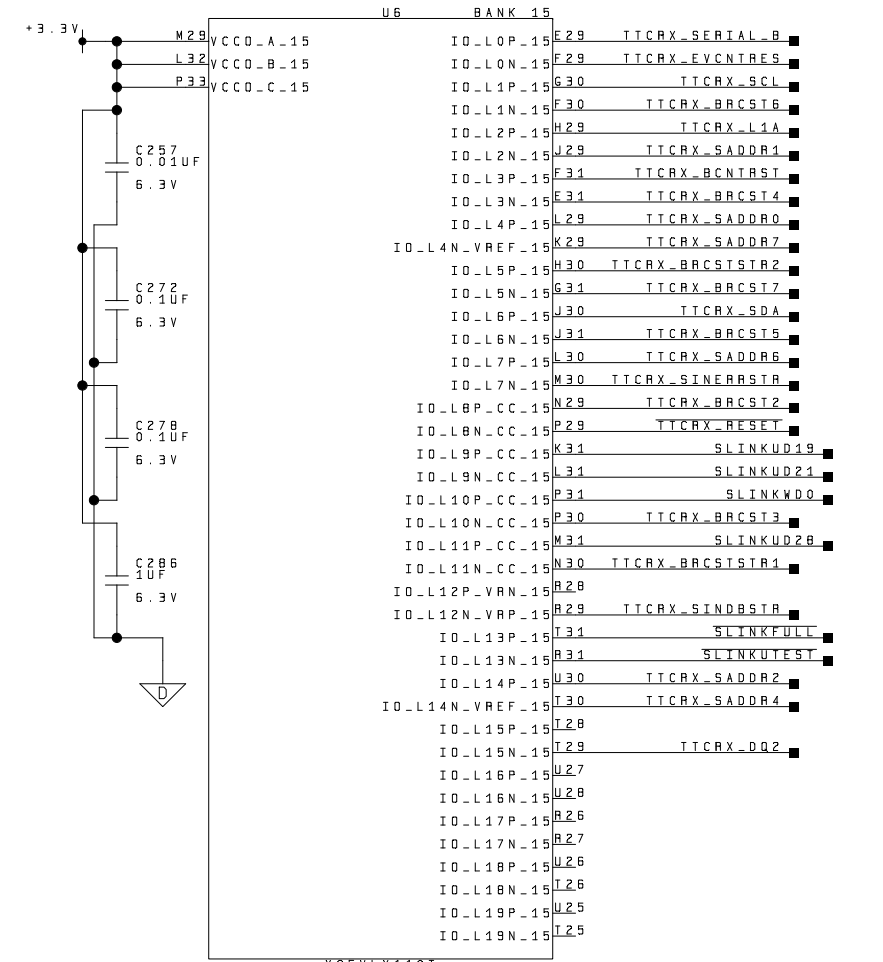
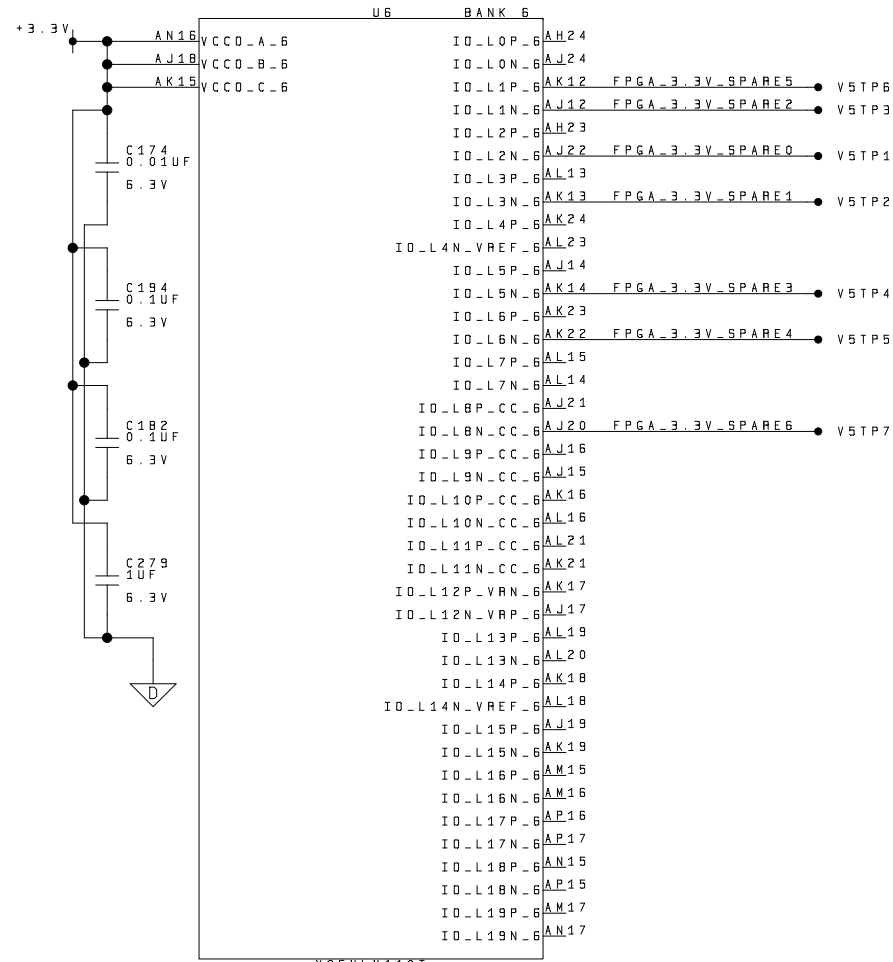
APPROVALS	DATE	University of Wisconsin High Energy Physics	
DRAWN TAG	06/06/08		
CHECKED		GCT MUON AUX IO MODULE FRONT, S-LINK AND REAR CONNECTORS	
APPROVED		SIZE B	SHEET 1
		OF 16	PART NO. 000-000-0000

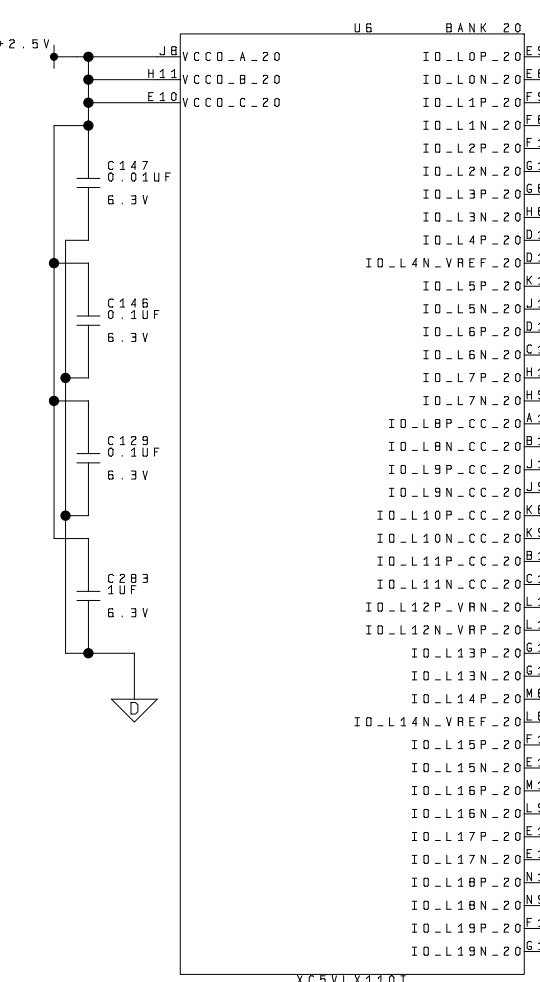
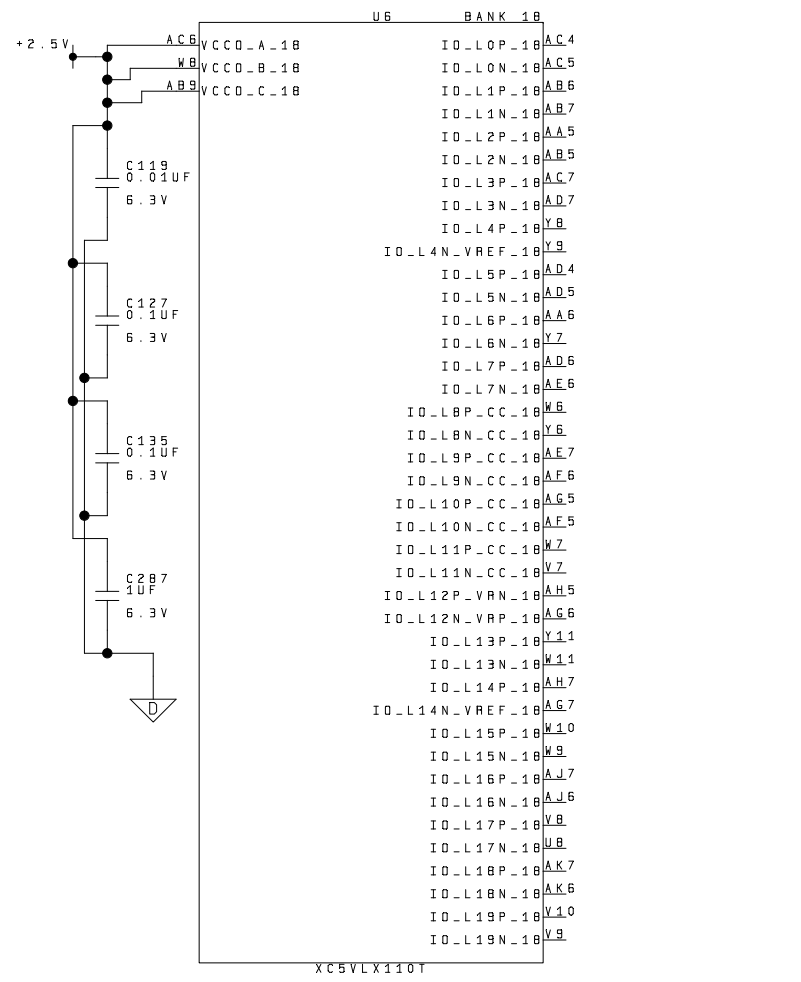
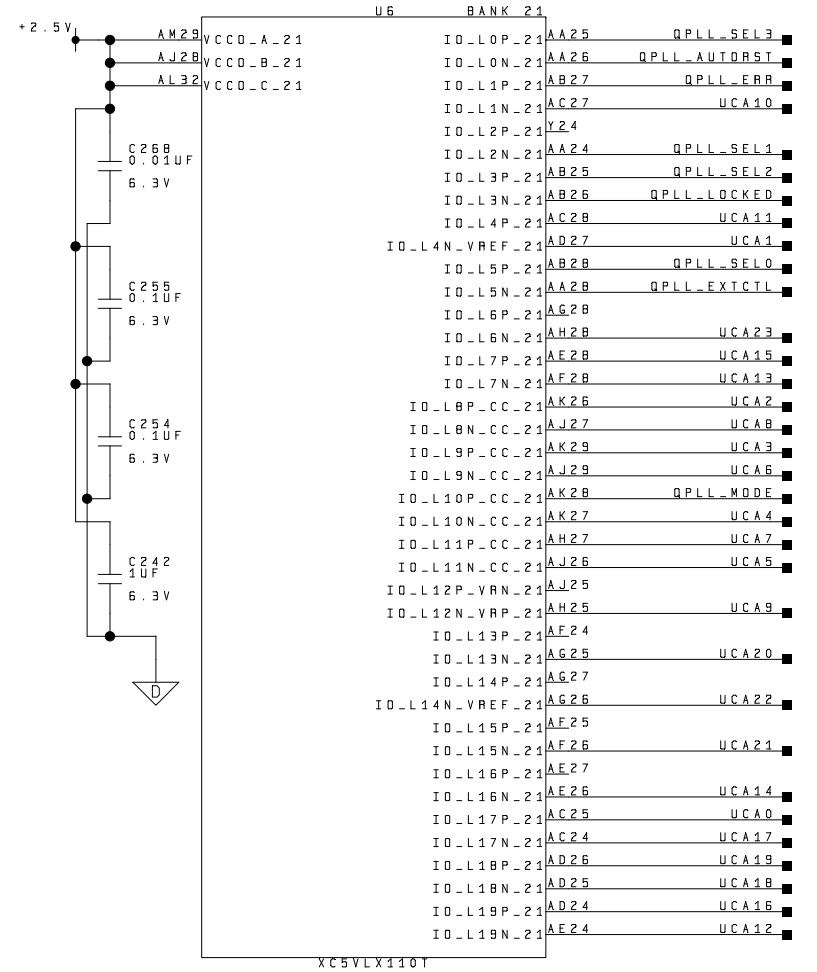
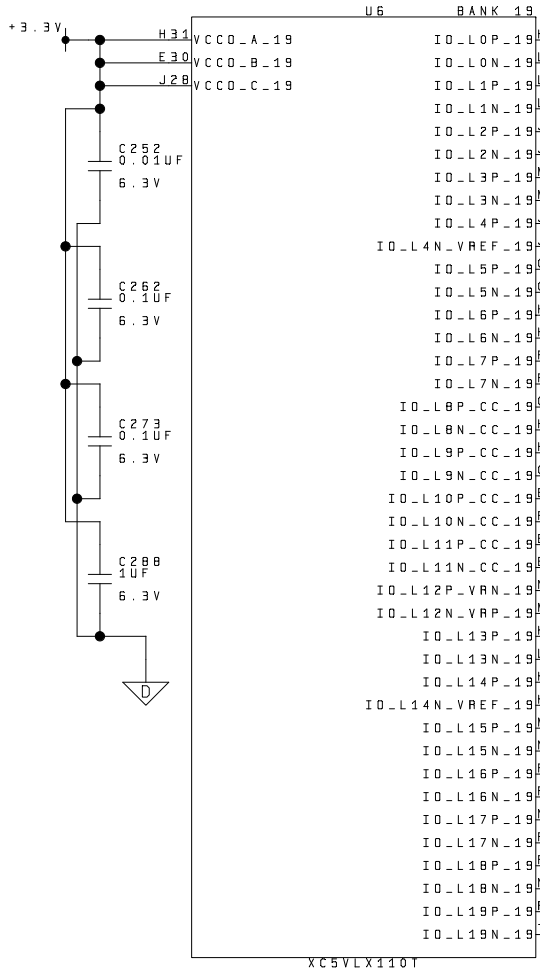
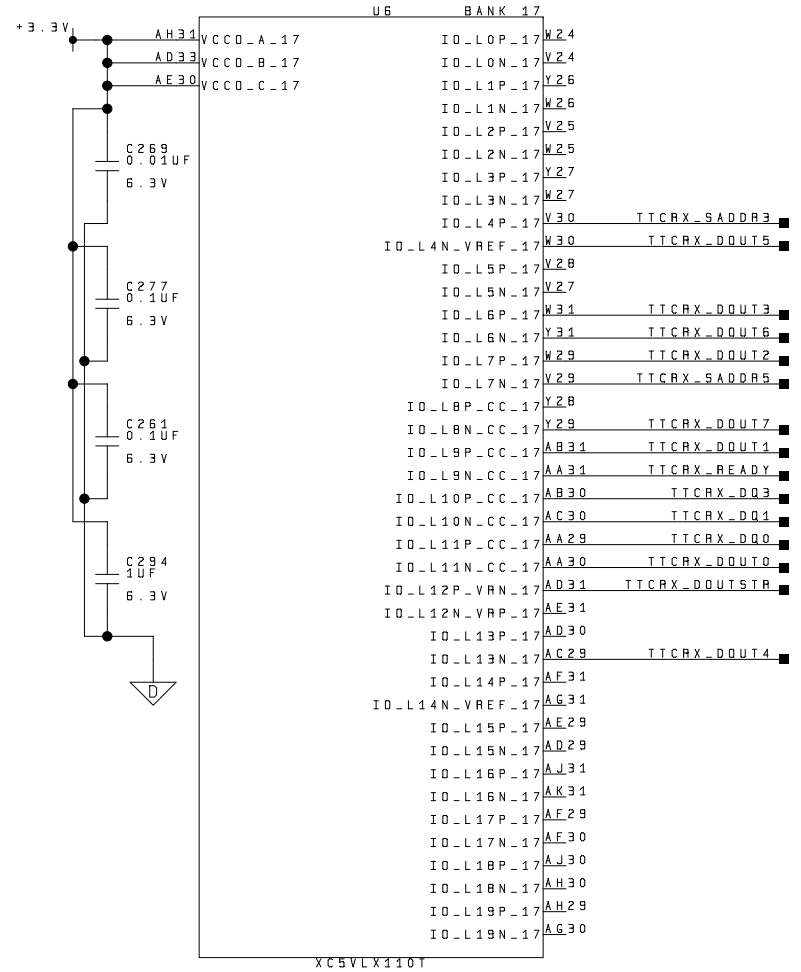
MUON AUX
1-9-2009_17:26



MUON AUX
1-9-2009_17:26

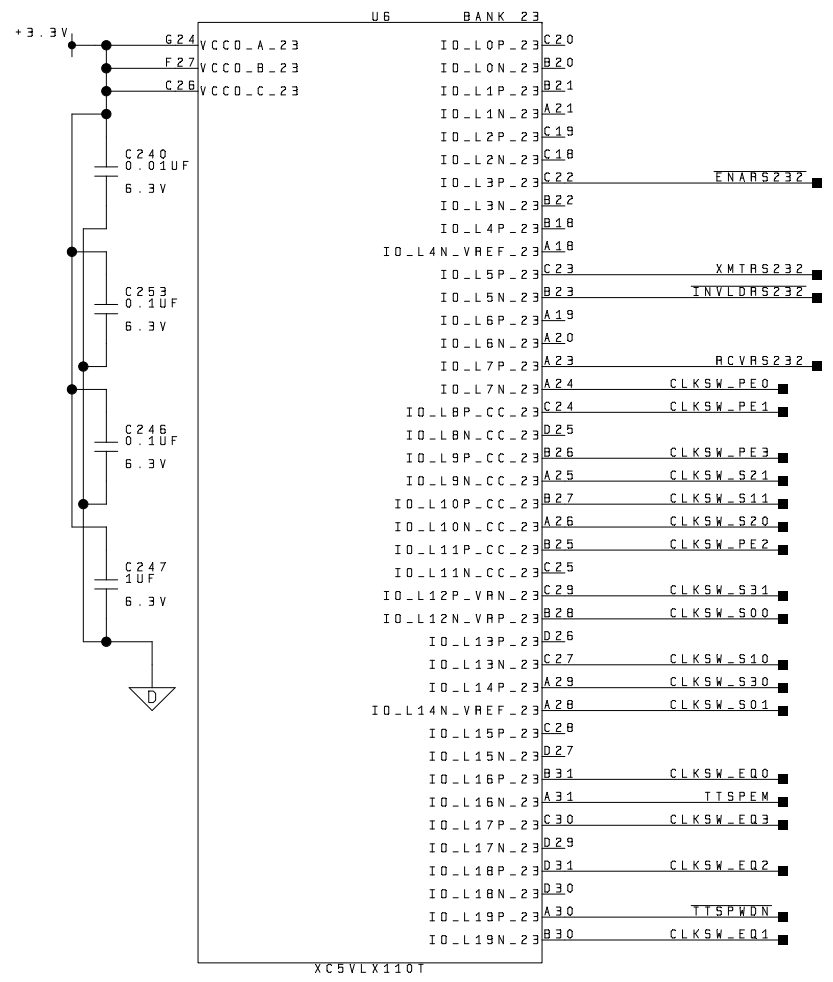
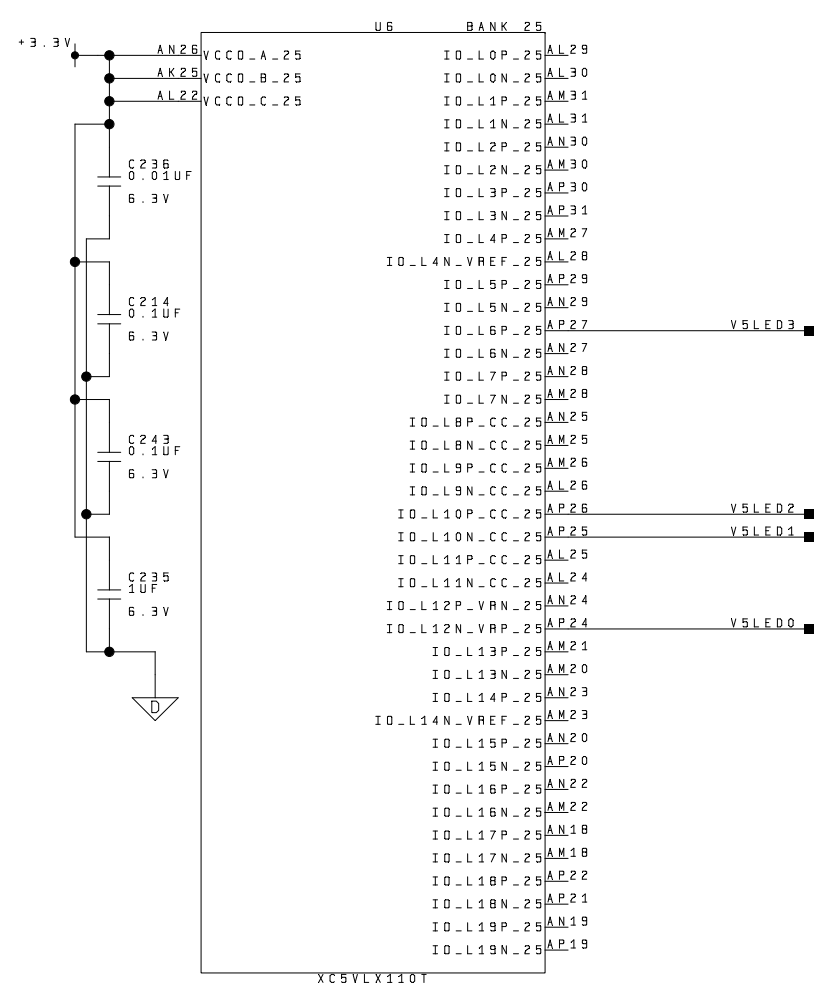
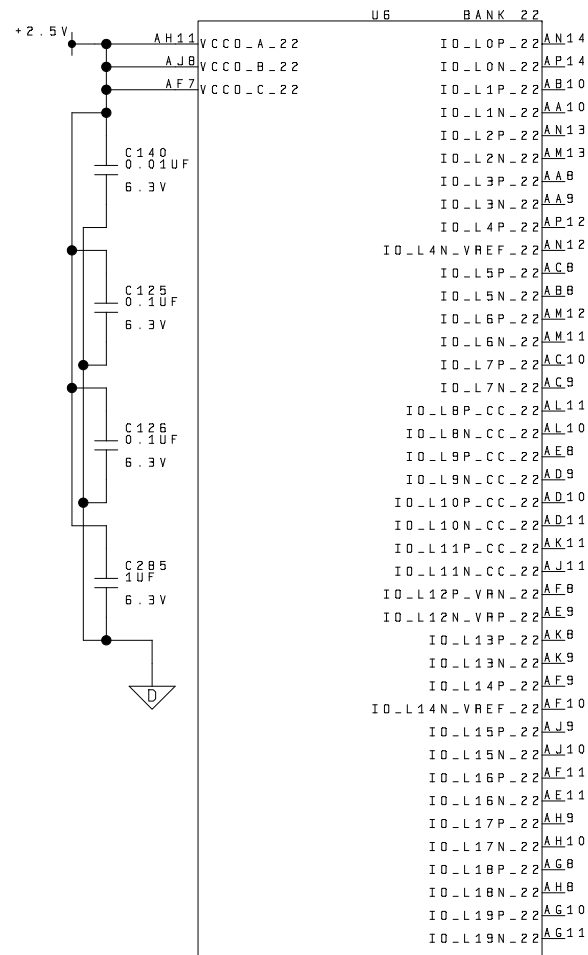
APPROVALS	DATE	University of Wisconsin High Energy Physics	
DRAWN TAG	06/06/08		
CHECKED		GCT MUON AUX IO MODULE	
APPROVED		FPGA BANKS 0-5	
SIZE B	SHEET 2	OF 16	PART NO. 000-000-0000





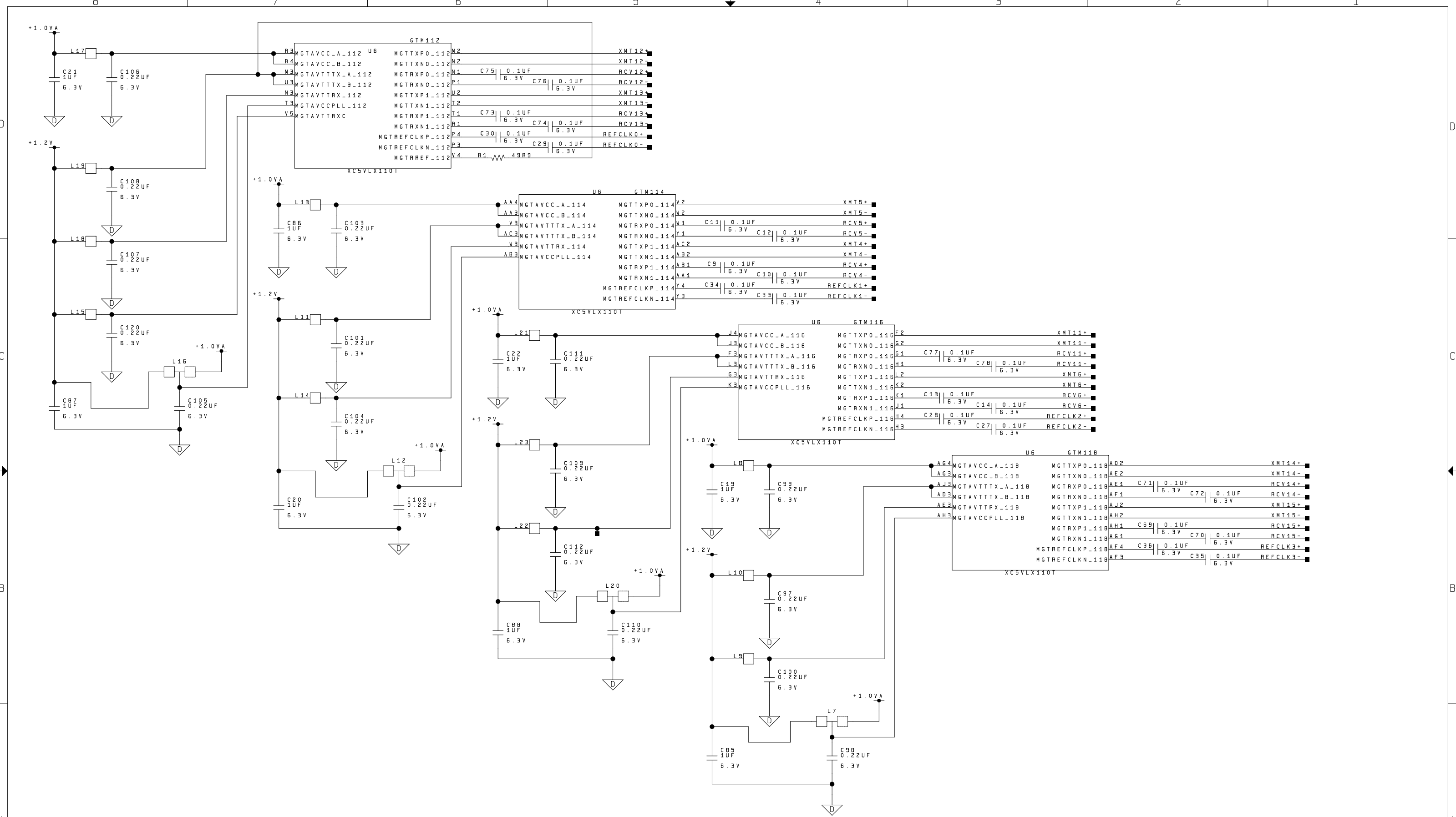
APPROVALS		DATE	University of Wisconsin High Energy Physics	
DRAWN	TAG	06/06/08		
CHECKED			GCT MUON AUX IO MODULE	
APPROVED			FPGA BANKS 17-21	
SIZE	B	SHEET	4	OF
			16	PART NO.
				000-000-0000

MUON AUX
1-9-2009_17:26



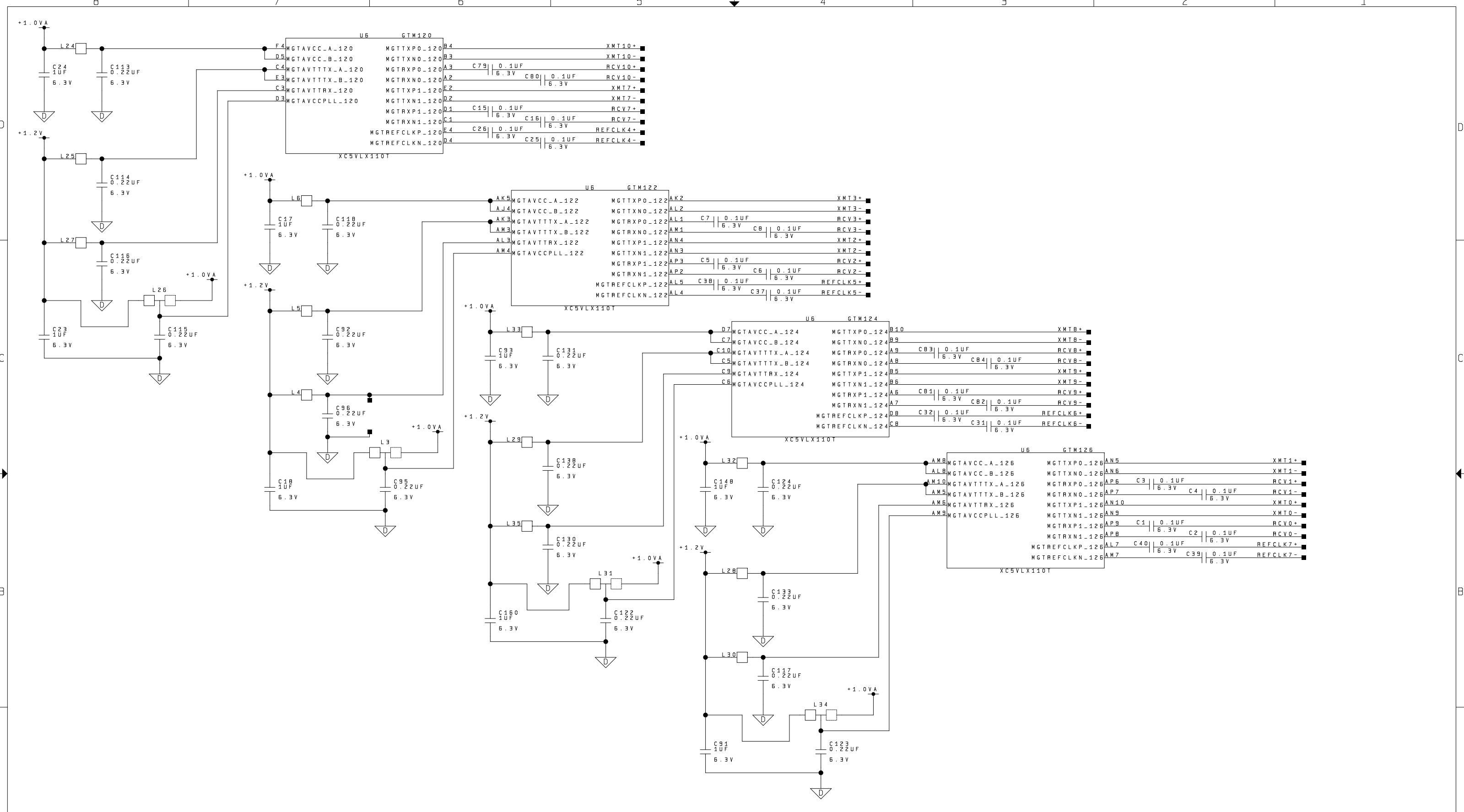
MUON AUX
1-9-2009_17:26

APPROVALS	DATE	University of Wisconsin High Energy Physics
DRAWN TAG	06/06/08	
CHECKED		GCT MUON AUX IO MODULE
APPROVED		FPGA BANKS 22-25
SIZE B	SHEET 5	OF 16
	PART NO.	000-000-0000



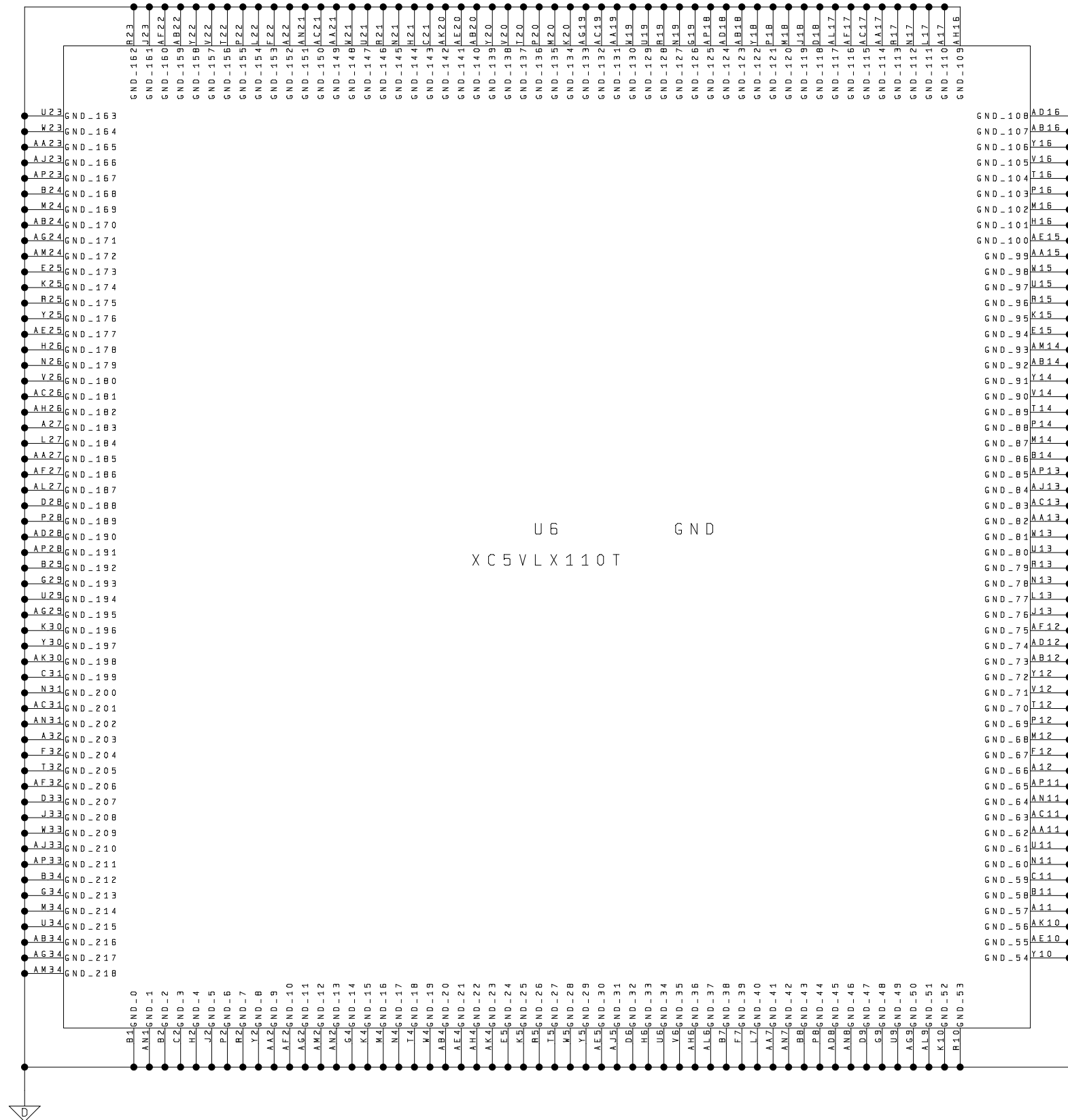
MUON AUX
1-9-2009_17:26

APPROVALS	DATE	University of Wisconsin High Energy Physics	
DRAWN TAG	06/06/08		
CHECKED		GCT MUON AUX IO MODULE	
APPROVED		FPGA MGT BANKS 112-118	
SIZE B	SHEET 6	OF 16	PART NO. 000-000-0000



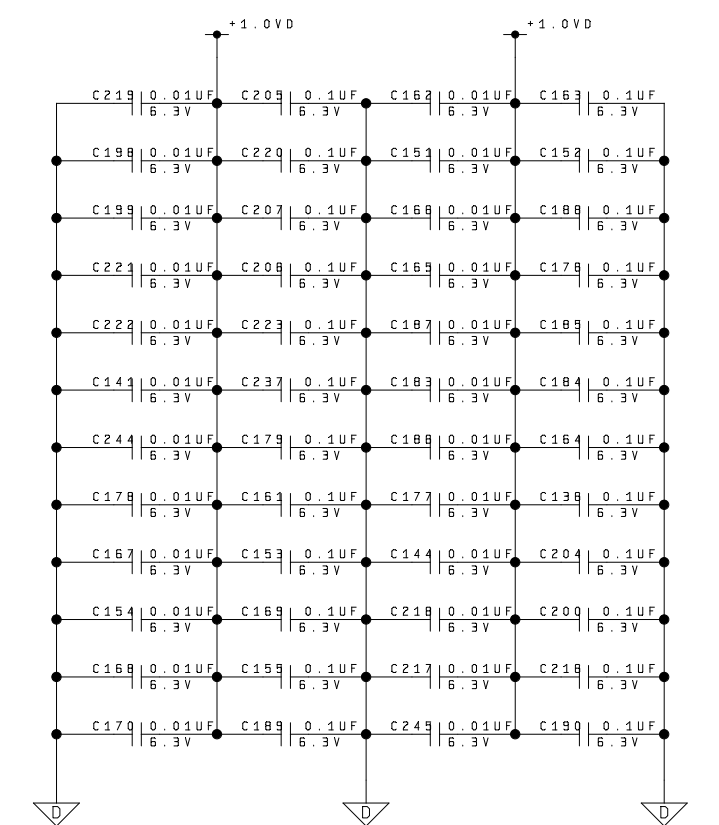
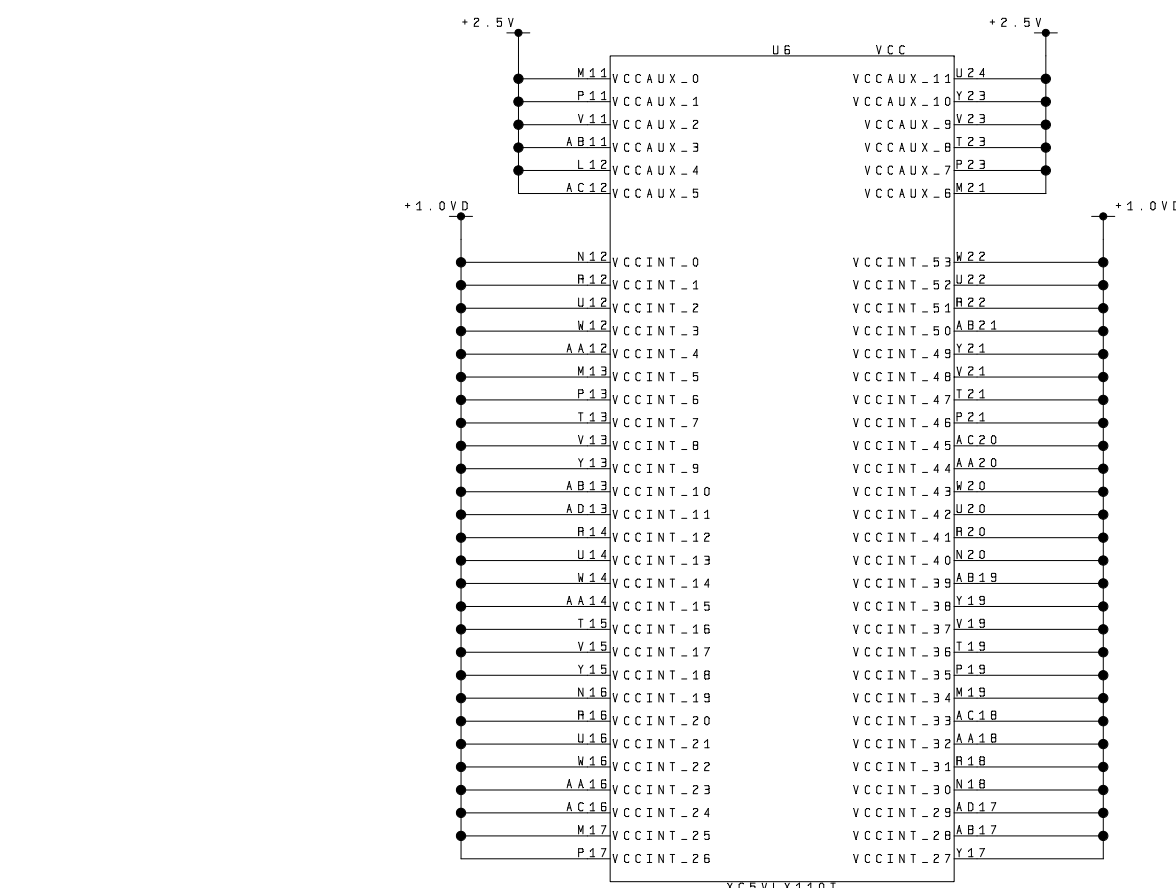
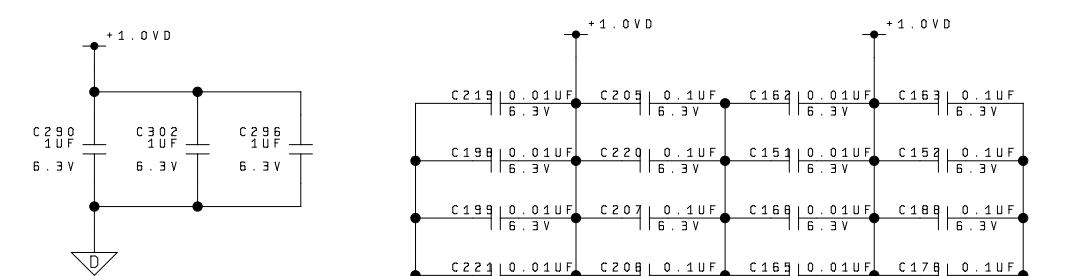
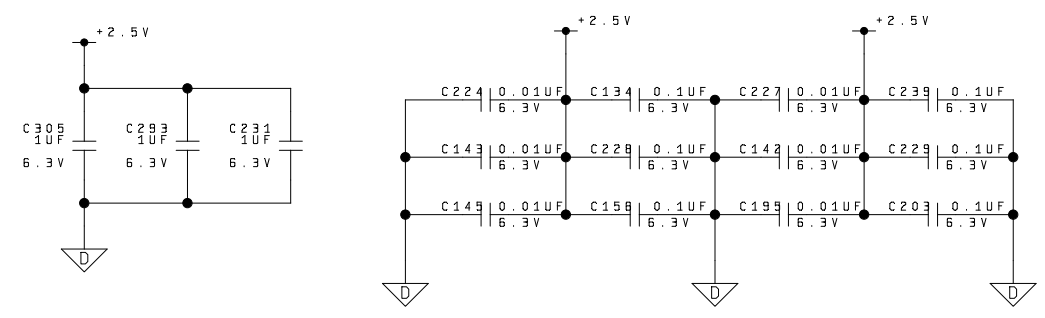
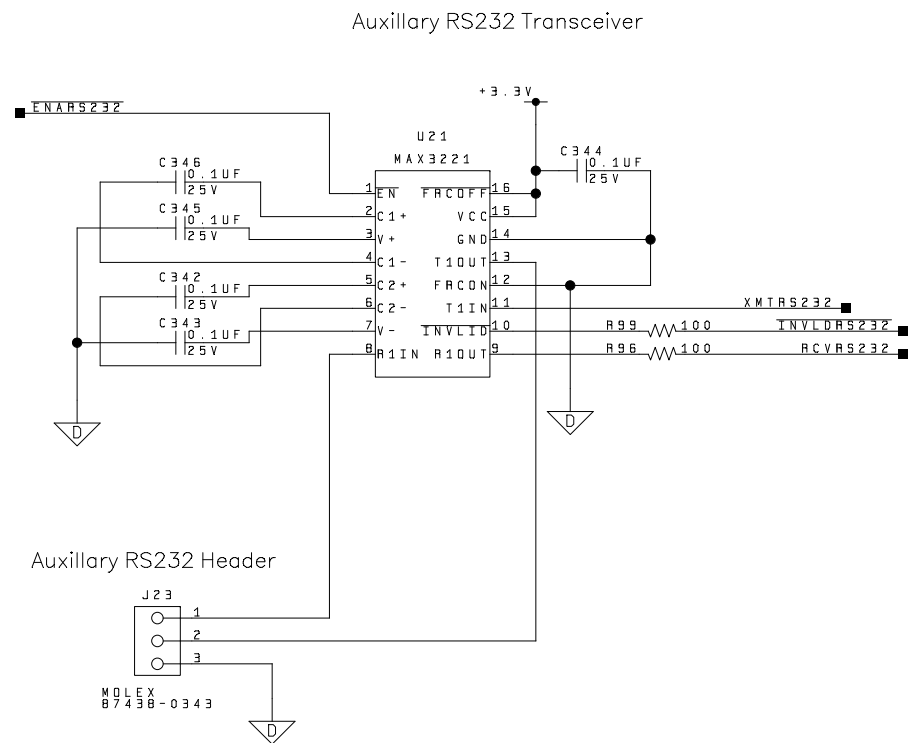
MUON AUX
1-9-2009_17:26

APPROVALS	DATE	University of Wisconsin High Energy Physics	
DRAWN TAG	06/06/08		
CHECKED		GCT MUON AUX IO MODULE	
APPROVED		FPGA MGT BANKS 120-126	
SIZE B	SHEET 7	OF 16	PART NO. 000-000-0000



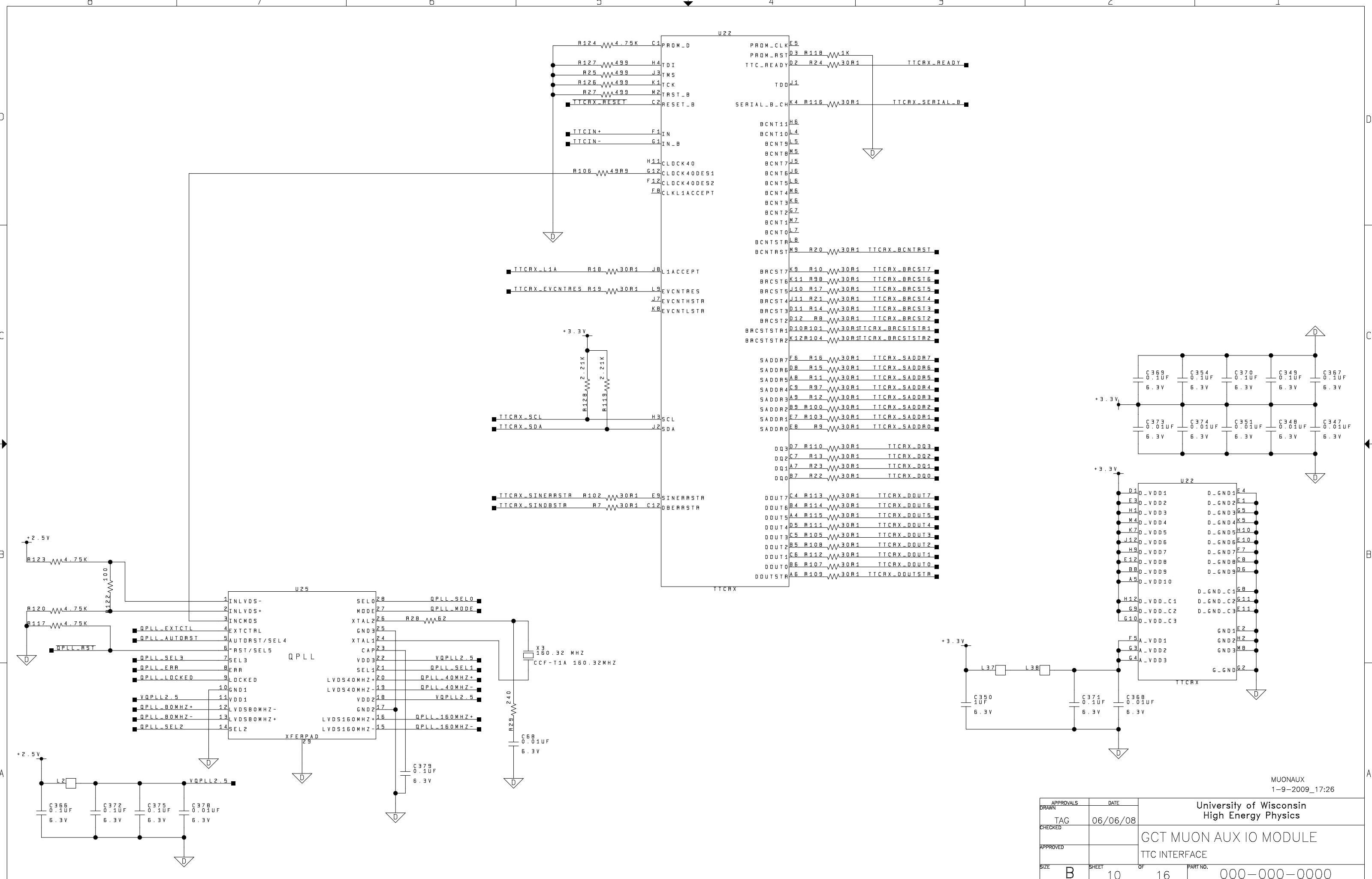
MUON AUX
1-9-2009_17:26

APPROVALS	DATE	University of Wisconsin High Energy Physics	
DRAWN TAG	06/06/08	GCT MUON AUX IO MODULE	
CHECKED		FPGA GROUND	
APPROVED		SIZE B	PART NO. 000-000-0000
		SHEET 8	OF 16



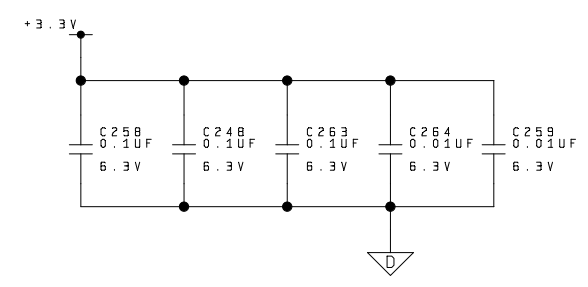
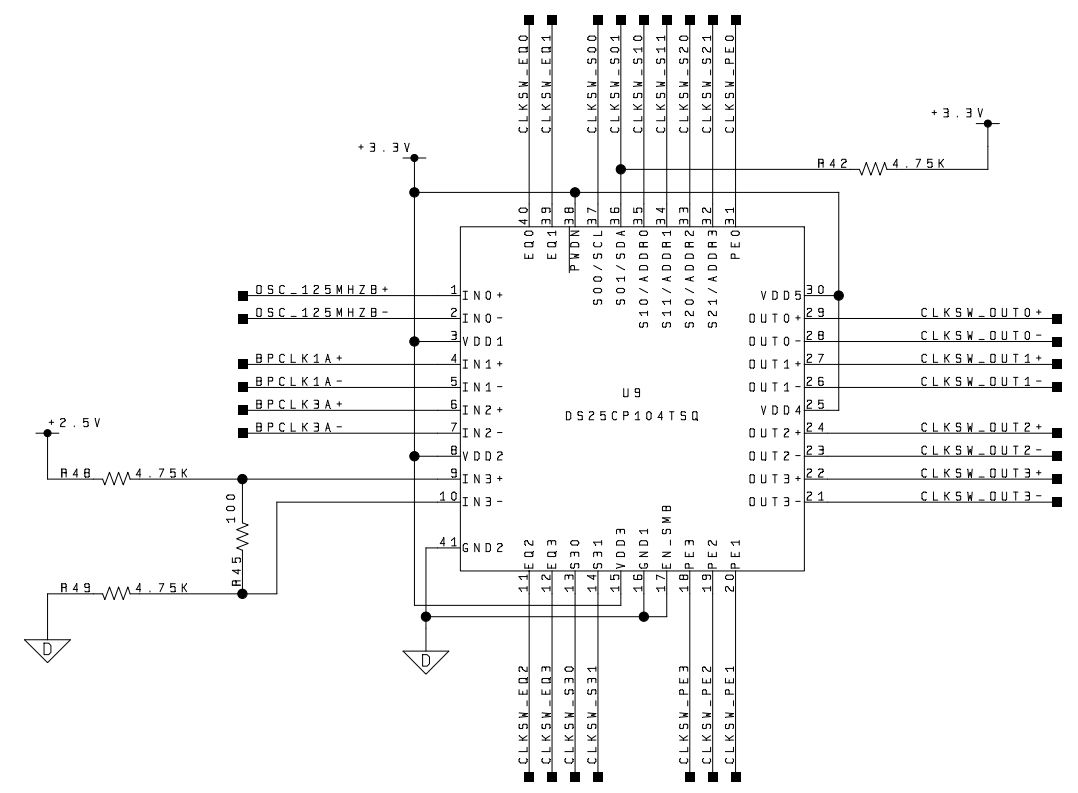
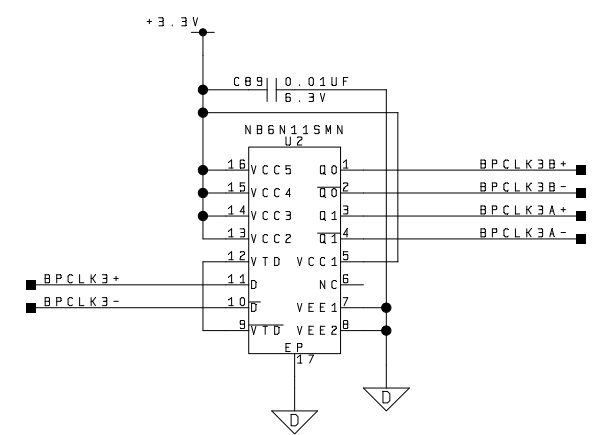
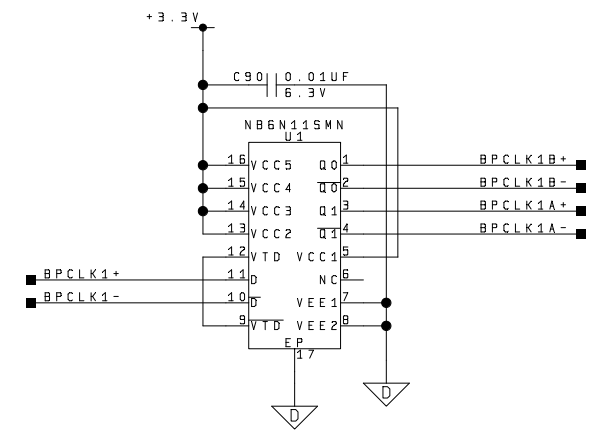
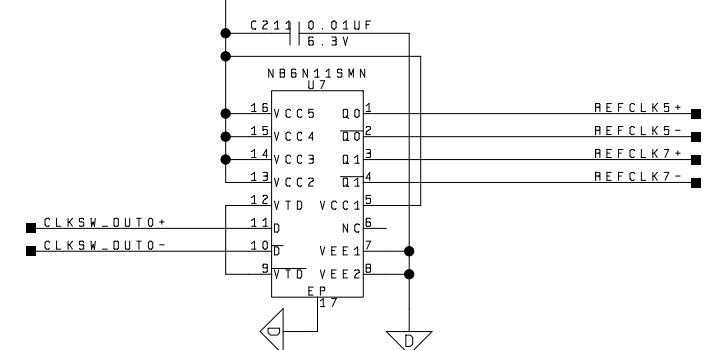
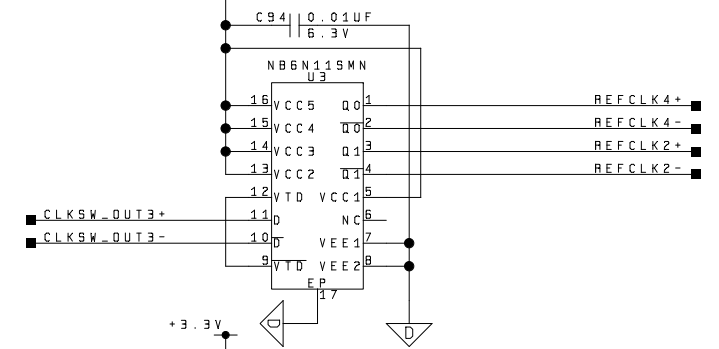
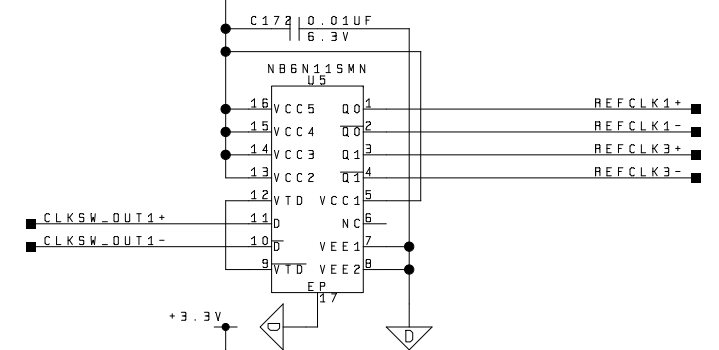
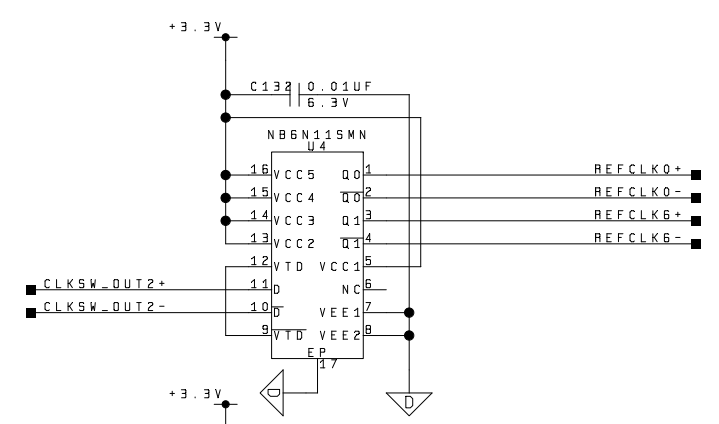
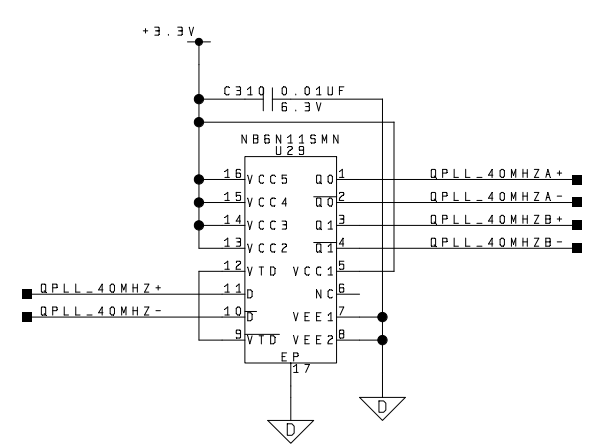
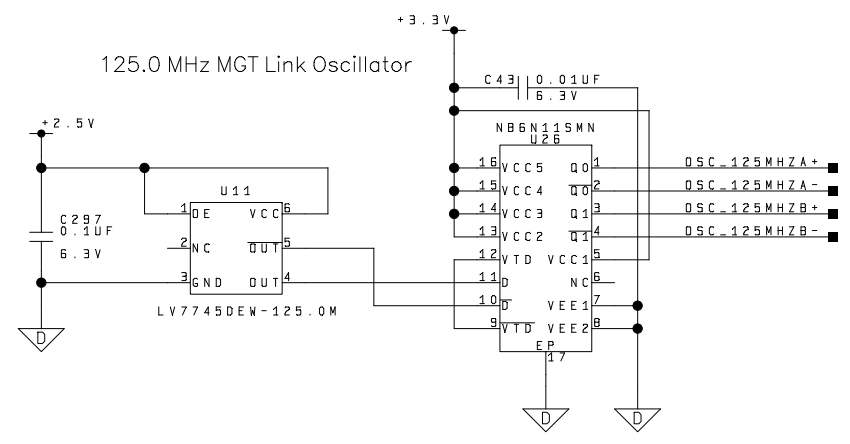
MUON AUX
1-9-2009_17:26

APPROVALS	DATE	University of Wisconsin High Energy Physics	
DRAWN TAG	06/06/08		
CHECKED		GCT MUON AUX IO MODULE FPGA POWER/BYPASS, AUX RS232	
APPROVED			
SIZE B	SHEET 9	OF 16	PART NO. 000-000-0000



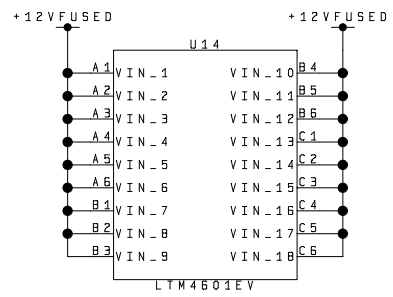
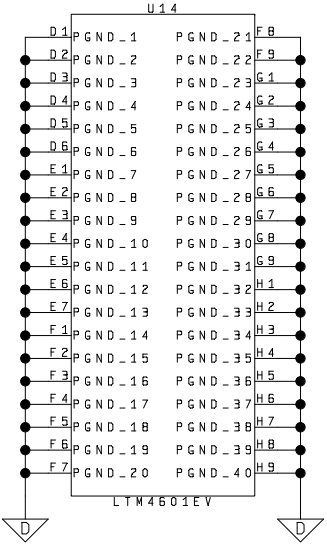
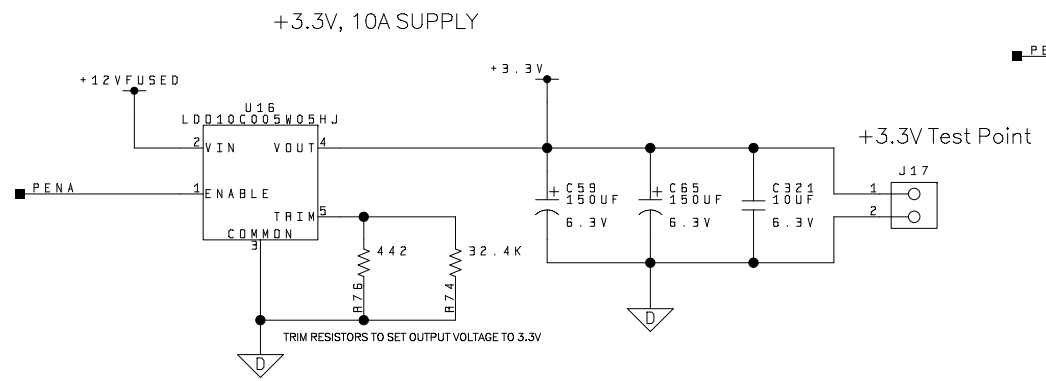
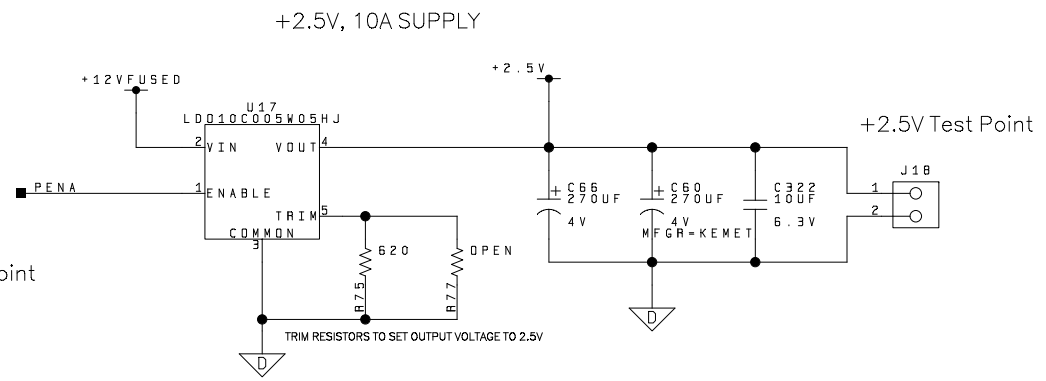
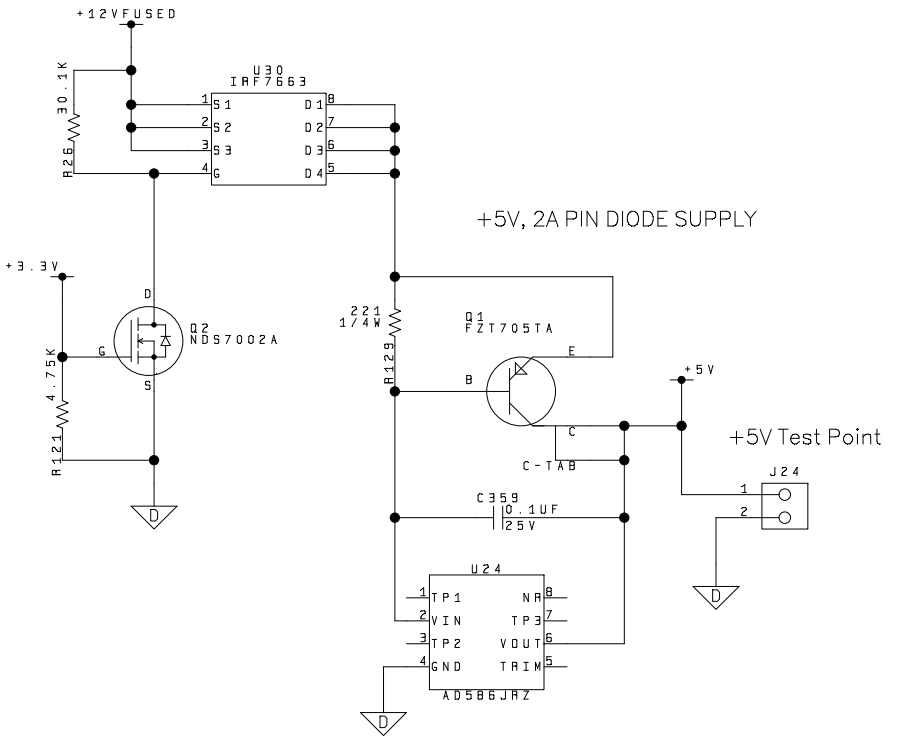
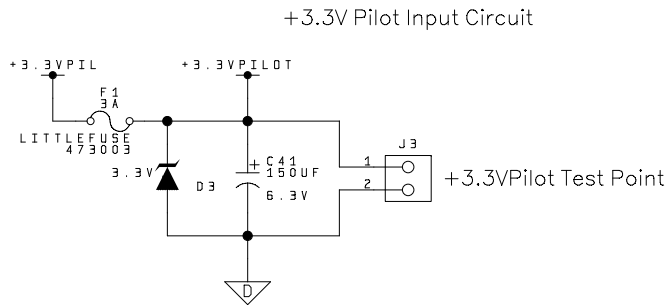
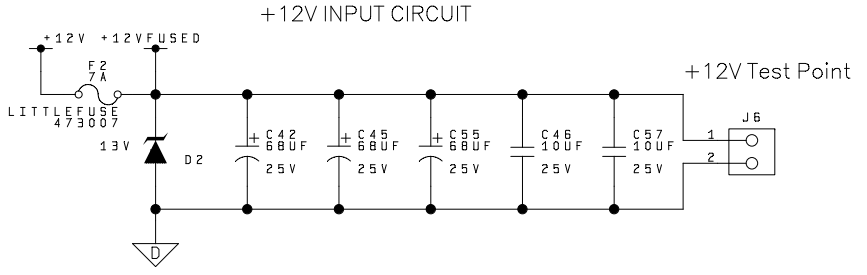
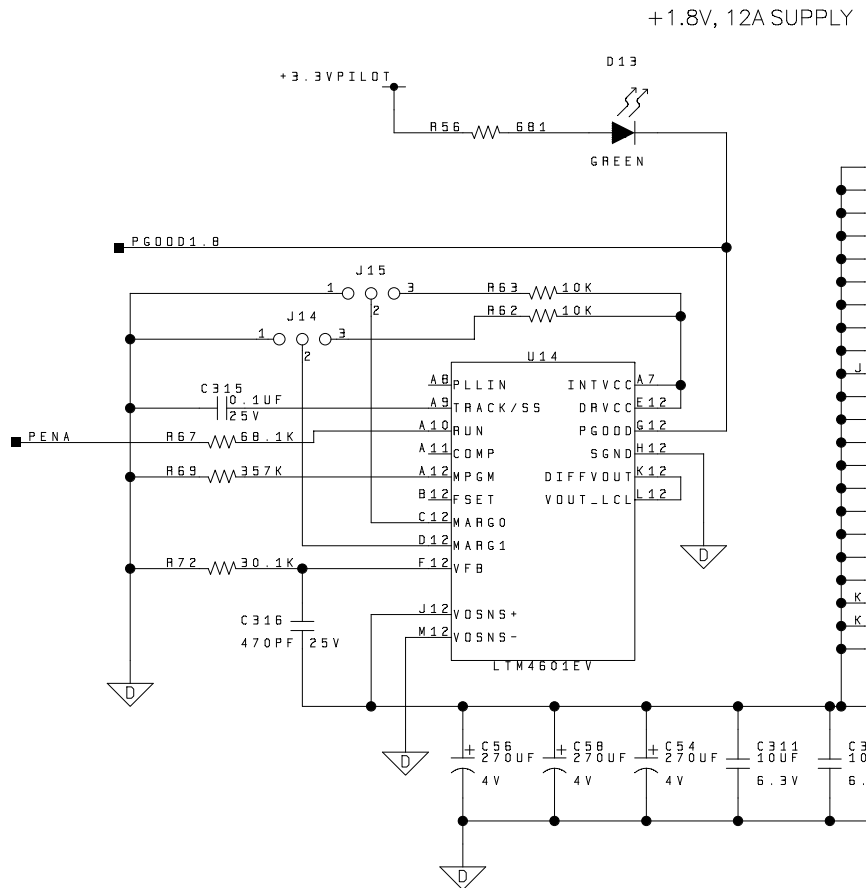
MUON AUX
1-9-2009_17:26

APPROVALS	DATE	University of Wisconsin High Energy Physics	
DRAWN TAG	06/06/08		
CHECKED		GCT MUON AUX IO MODULE TTC INTERFACE	
APPROVED			
SIZE B	SHEET 10	OF 16	PART NO. 000-000-0000



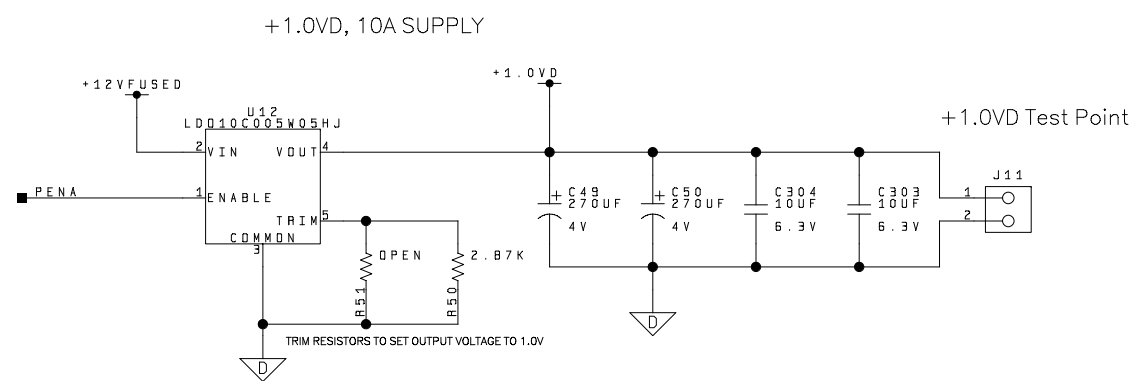
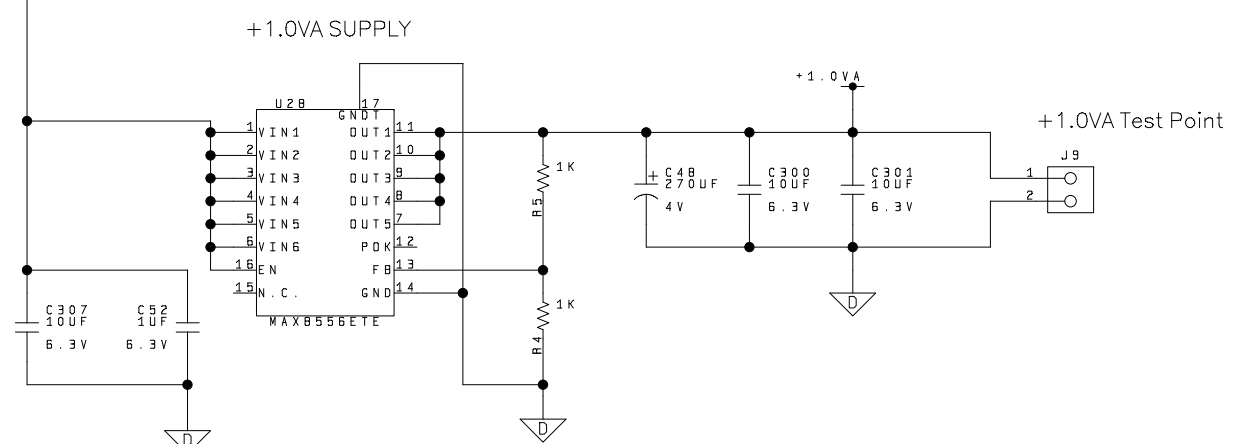
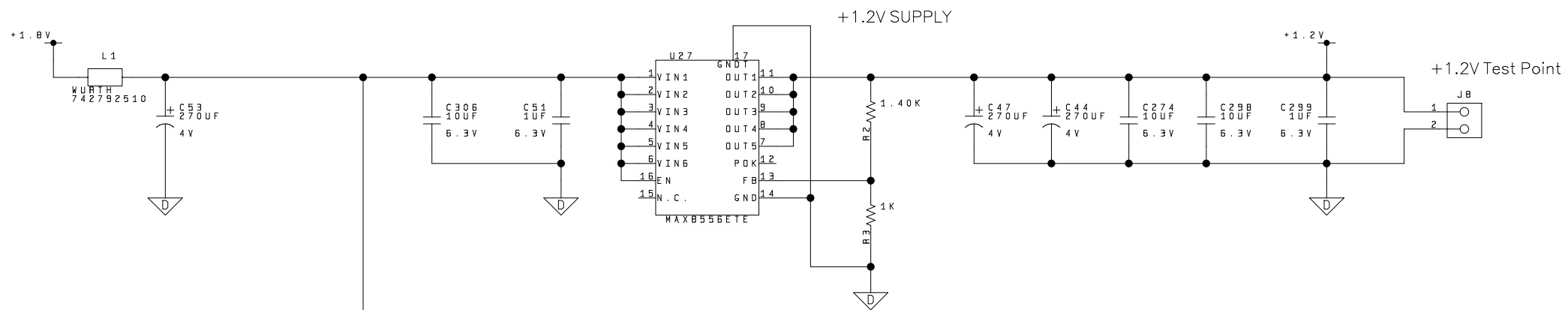
APPROVALS		DATE	University of Wisconsin High Energy Physics	
DRAWN	TAG	06/06/08	GCT MUON AUX IO MODULE	
CHECKED			CLOCK DISTRIBUTION	
APPROVED			SIZE	SHEET
	B	11	OF	16
			PART NO.	000-000-0000

MUON AUX
1-9-2009_17:26

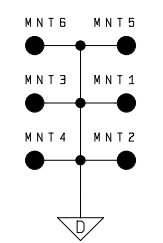


MUONAX
11-3-2009_7:17

APPROVALS	DATE	University of Wisconsin High Energy Physics	
DRAWN TAG	06/06/08	GCT MUON AUX IO MODULE	
CHECKED		5V, 1.8V, 3.3V, 2.5V POWER	
APPROVED		SIZE B	SHEET 12
		OF 16	PART NO. 000-000-0000

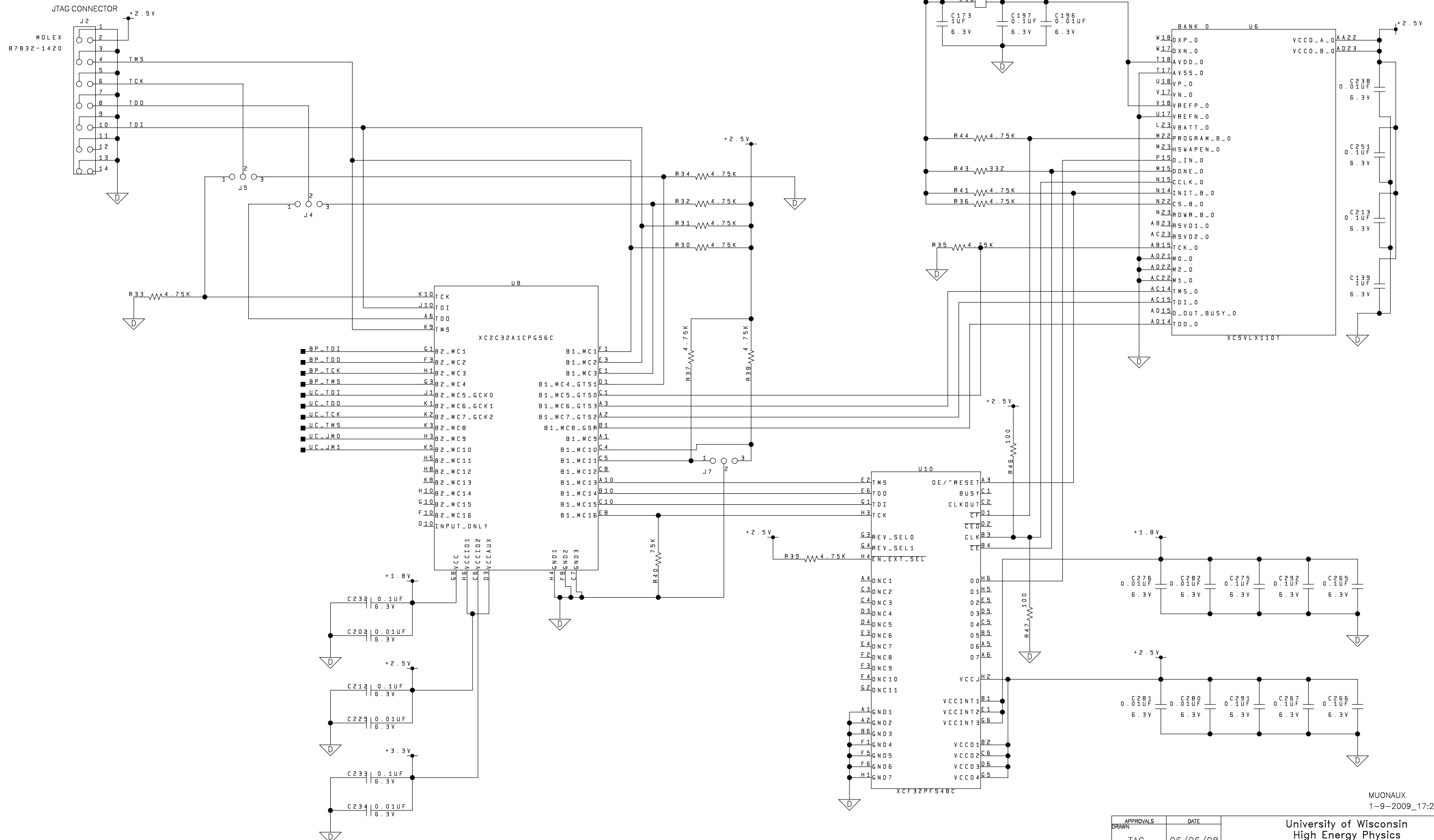


Grounded Mounting Holes



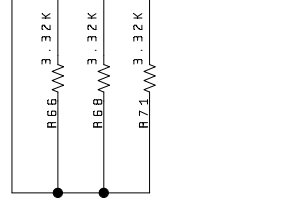
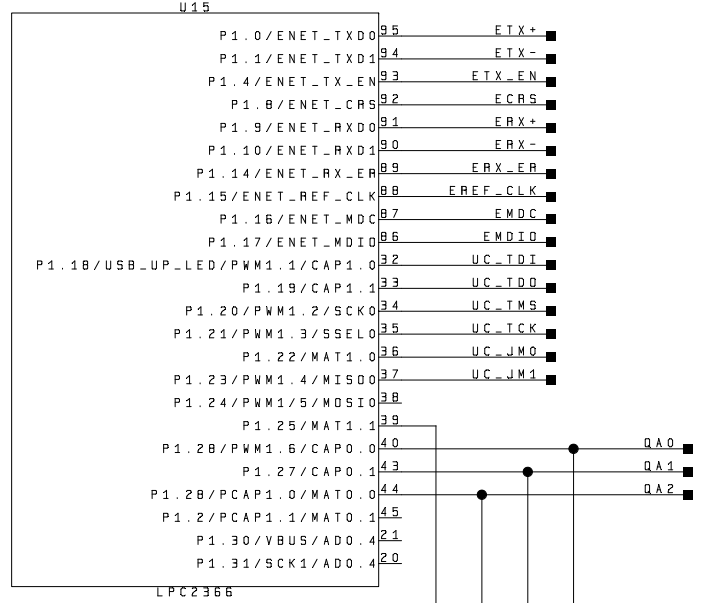
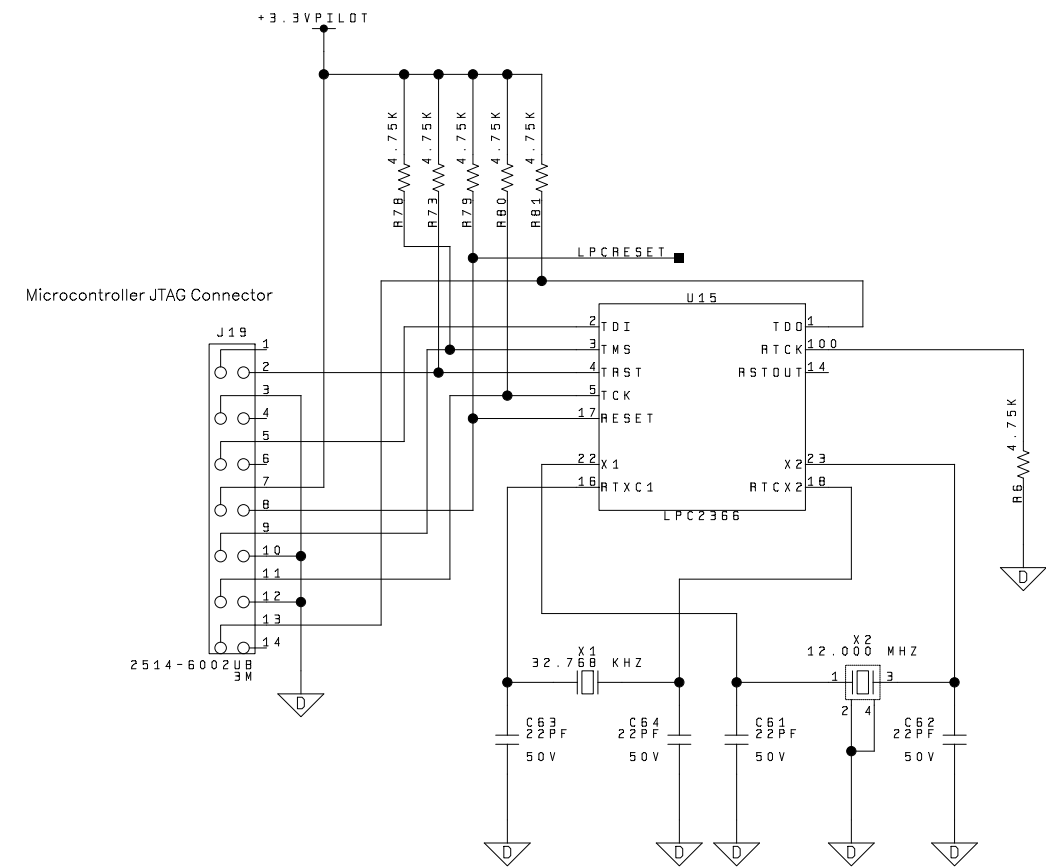
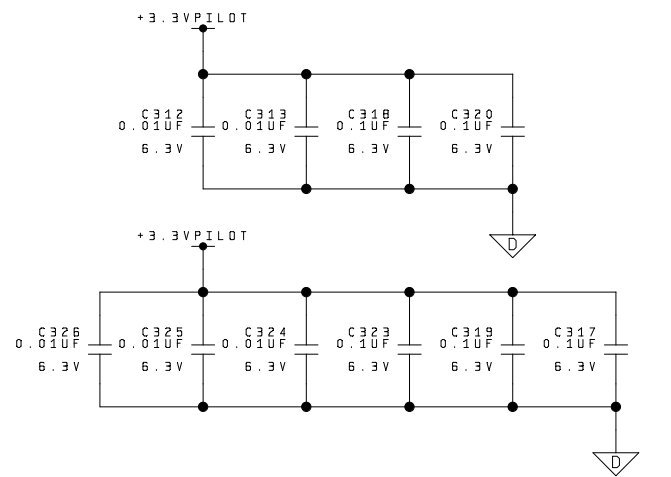
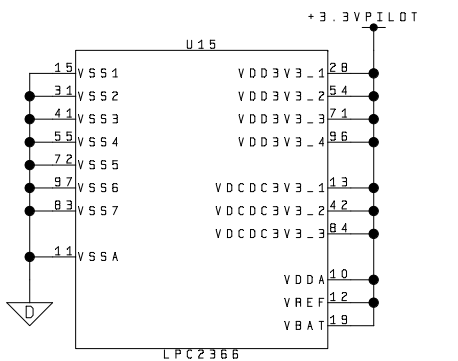
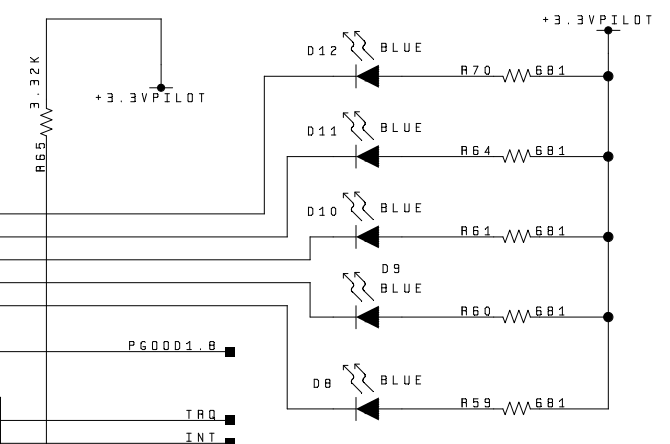
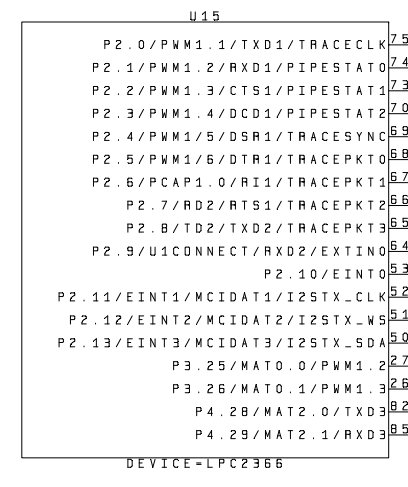
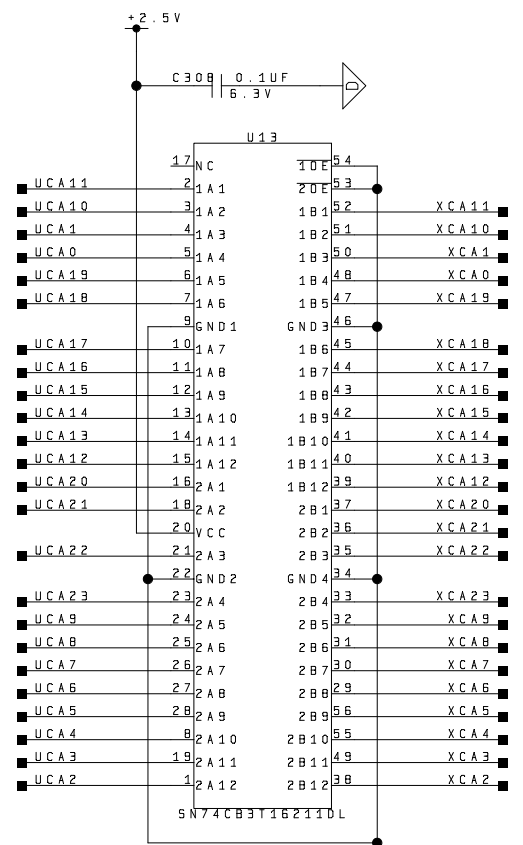
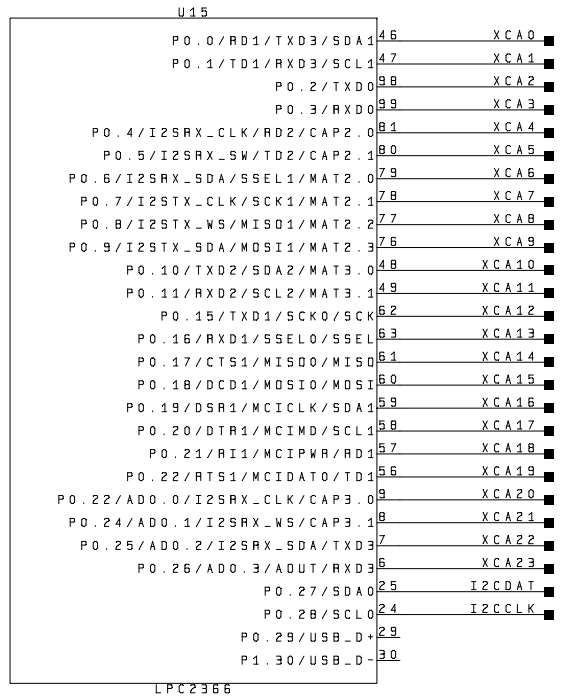
MUONAU
11-3-2009_7:17

APPROVALS	DATE	University of Wisconsin High Energy Physics	
DRAWN	06/06/08	GCT MUON AUX IO MODULE	
CHECKED		1.2V, 1.0VA AND 1.0VD POWER	
APPROVED		SIZE B	PART NO. 000-000-0000
		SHEET 13	OF 16



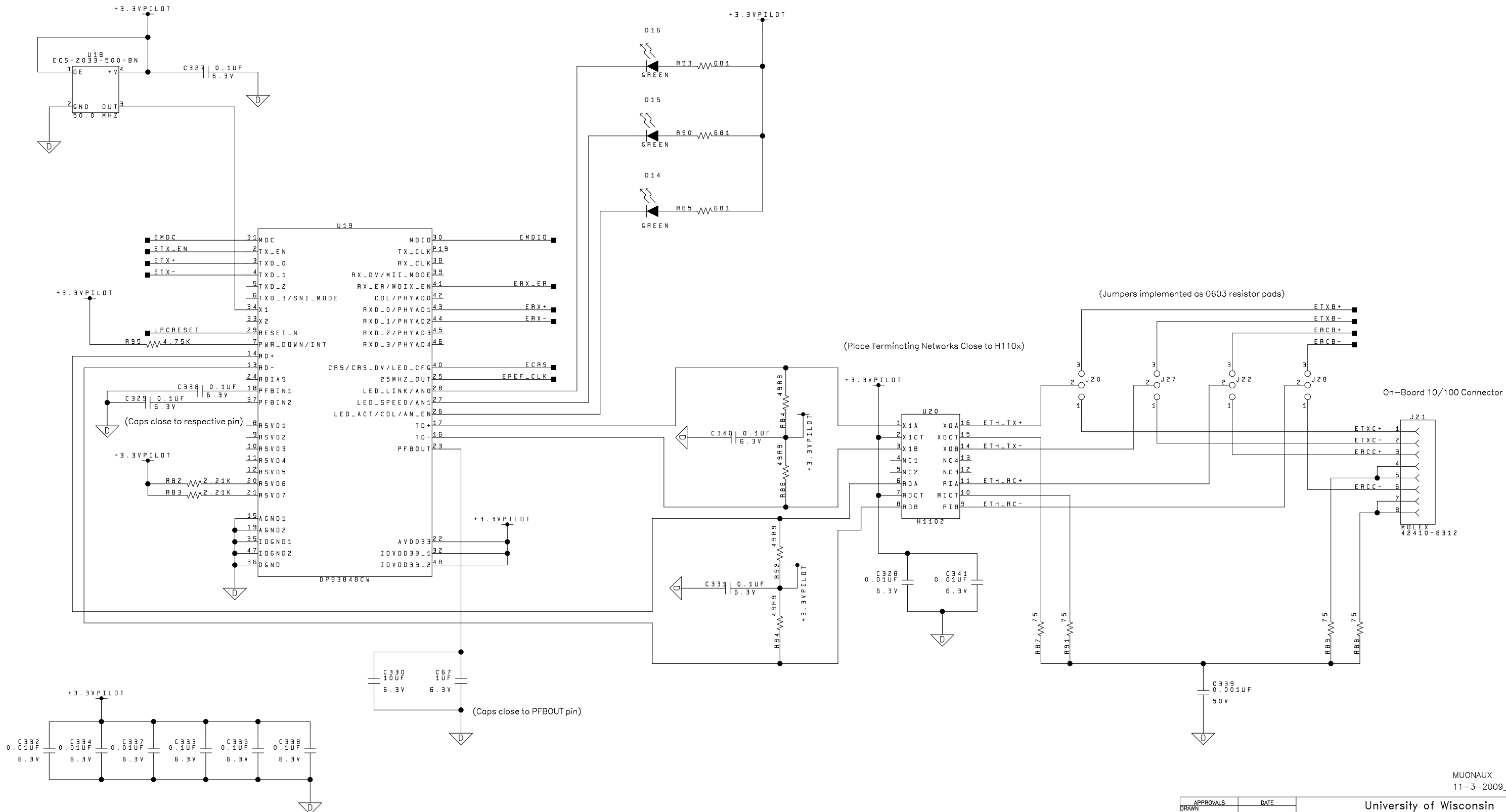
APPROVALS	DATE	University of Wisconsin High Energy Physics	
DRAWN TAG	06/06/08	GCT MUON AUX IO MODULE FPGA CONFIGURATION	
CHECKED		SIZE B	SHEET OF 14 OF 16
APPROVED		PART NO. 000-000-0000	

MUON AUX
1-9-2009_17:26



APPROVALS	DATE	University of Wisconsin High Energy Physics	
DRAWN	TAG	06/06/08	GCT MUON AUX IO MODULE
CHECKED			UTCA MICROCONTROLLER
APPROVED			
SIZE	SHEET	OF	PART NO.
B	15	16	000-000-0000

MUON AUX
11-3-2009_7:11



APPROVALS	DATE	University of Wisconsin High Energy Physics	
DRAWN TAG	06/06/08	GCT MUON AUX IO MODULE	
CHECKED		ETHERNET PHY AND CONNECTOR	
APPROVED		SIZE B	SHEET 16
		OF 16	PART NO. 000-000-0000

MUON AUX
11-3-2009_7:17